

bimed
TEKNIK ALETLER SANAYI VE TICARET A.S.

TURKEY / Head Office and Factory
Bakir ve Pirinc Sanayi Sitesi, Orkide Caddesi Nr.15
34524 Beylikduzu ISTANBUL -TURKEY
Telephone: +90.212.875 73 76
Telefax: +90.212.875 70 52
bimedteknik@bimedteknik.com
www.bimedteknik.com

GERMANY
Liebknechtstr. 33
70565 Stuttgart DEUTSCHLAND
Telephone: +49 (0)711 7811-553
Telefax: +49 (0)711 7811-555
kk@bimedteknik.de

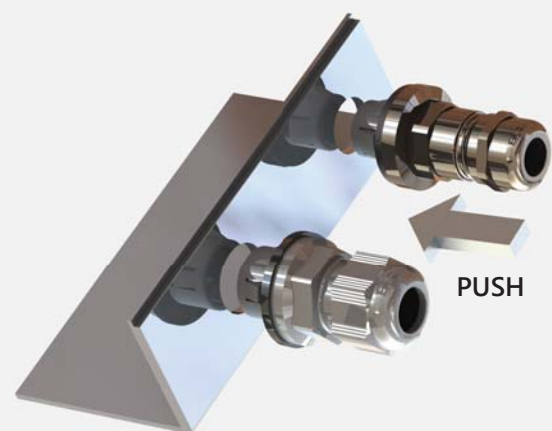
NORTH AMERICA
44 Ambleside Ave.
Toronto Ontario M8Z 2H7 CANADA
Telephone: 1 (416) 354 2537
Telefax: 1 (416) 354 2537
rk@bimedteknik.com

EGYPT
The 47th building, 4th Floor ,Office 417 ,
North 90 Street, Section 1/5 th Settlement
New Cairo, 11835 EGYPT
Telephone: +202 25032847
Telefax: +202 25032801
milad@bimedteknik.com

2014
3

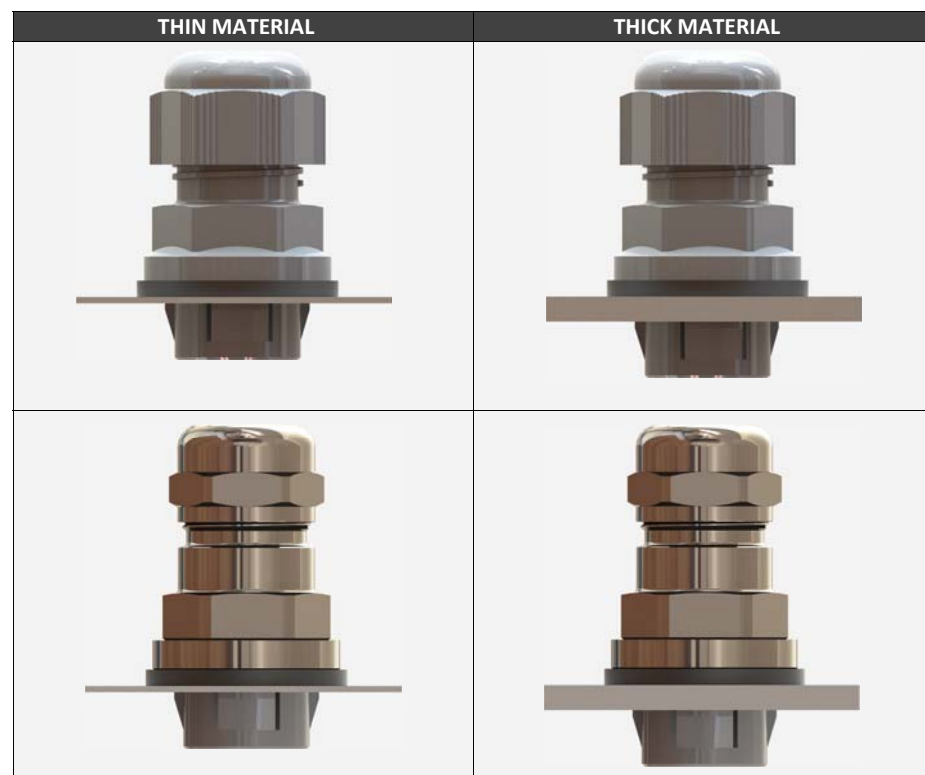
bimed
Trademark for Innovation & Quality

ASSEMBLY

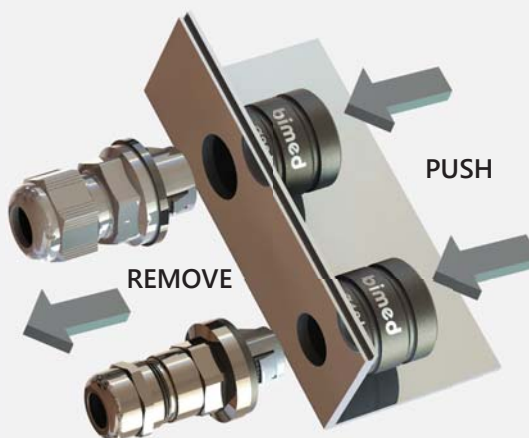


BENEFITS

- Neither locknuts nor threaded holes are required
- No tools required for installation
- Push cable gland and turn body clockwise
- Standard M 16 and M 20 through hole dimensions
- Installation in tight spaces
- Installation where no access to rear (locknut side)
- Hexagon of body and cap are same SW
- PAT glands perfectly fit from 0,5 mm to 4,0 mm thick material
- IP 66/IP 68 5bar
- Easy disassembly (with separate tool)



DISASSEMBLY



Polyamide 6

Technical Details		
Material	Body	PA 6 (Polyamide 6)
	Cap	PA 6 (Polyamide 6)
	Seal	CR (Chloroprene Rubber)
	Washer	CR (Chloroprene Rubber)
	Quick Fitting Lower Body	PA 6 (Polyamide 6)
Flammability	V2 (According to UL 94)	
Protection Class	IP 66/IP 68 - 5 Bar	
Operating Temperature	Permanent	-20 °C up to +100 °C
	Intermittent	-30 °C up to +150 °C
Benefits	Easy to assemble	
	Easy handling	
Approval	VDE	
Accessories	Dome plugs	
	Dust plugs	
	Reducing seals	
	Flat cable seals	
	Multihole seals	
	RES 107572 & UL514B § 8.26.7	
UV Test Report Ref. & Standard	RES 107572 & UL514B § 8.26.7	
Remarks	Other colours on request	
	Gray-Ral 7001/Black-Ral 9005/Red-Ral 3020	
	White-Ral 9003/Blue-Ral 5015	
	Different sealing types available	
	Large accessory range	

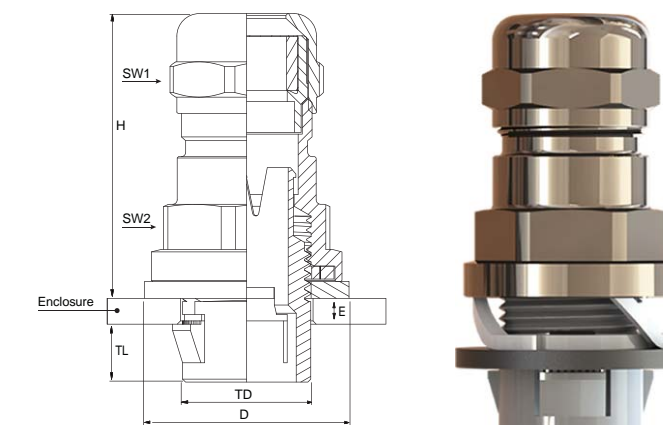
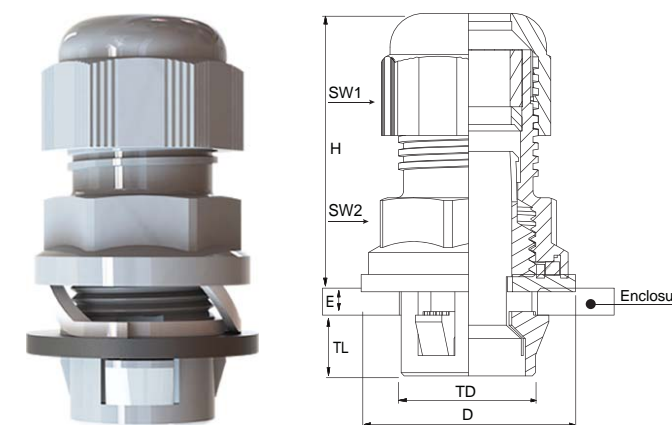
Push And Tighten GLAND

Brass, Nickel Plated



Disassembly Tool

Code	Description
BEX-16/20	Disassembly tool for Glands



Hole Diameter Ø mm	Technical Information									Code	Packing Information
	Material Wall Thickness min-max E mm	Clamping Range Ø min-max mm	TL mm	TD mm	SW mm	SW2 mm	Max. H mm	D mm	Ral 7035		
16,3±0,1	0,5 - 4,0	5,0 - 10,0	9,0	16,0	22,0	22,0	42,3	28,0	BMOS-11	100	
20,3±0,1	0,5 - 4,0	6,0 - 12,0	9,0	20,0	24,0	24,0	40,8	31,8	BMOS-12	50	

Hole Diameter Ø mm	Technical Information									Code	Packing Information
	Material Wall Thickness min-max E mm	Clamping Range Ø min-max mm	TL mm	TD mm	SW1 mm	SW2 mm	Max. H mm	D mm	Ral 7035		
16,3±0,1	0,5 - 4,0	5,0 - 10,0	9,0	16,0	20,0	20,00	60,5	28,0	BBOS-11	100	
20,3±0,1	0,5 - 4,0	6,0 - 12,0	9,0	20,0	22,0	24,00	60,0	31,8	BBOS-12	50	